

USER MANUAL

Mega Clean MC-200



Accessories

2L liquid container

User Manual

Quick Trouble Shooting Card

Lock Key *2pcs

Activity tray*1

Spare nozzle *1pcs

Wall-install cardboard

IMPORTANT !

- ★Read the manual before operating this machine
- ★Keep this manual for your reference

Introduction

This product is a simple and reliable hand disinfection machine that can be used in small to medium-sized to large occasions (such as schools, factories, office areas, shopping malls, restaurants, etc.).

It is easy to install and can be hung, fixed and on the table for multiple people and multi-use.

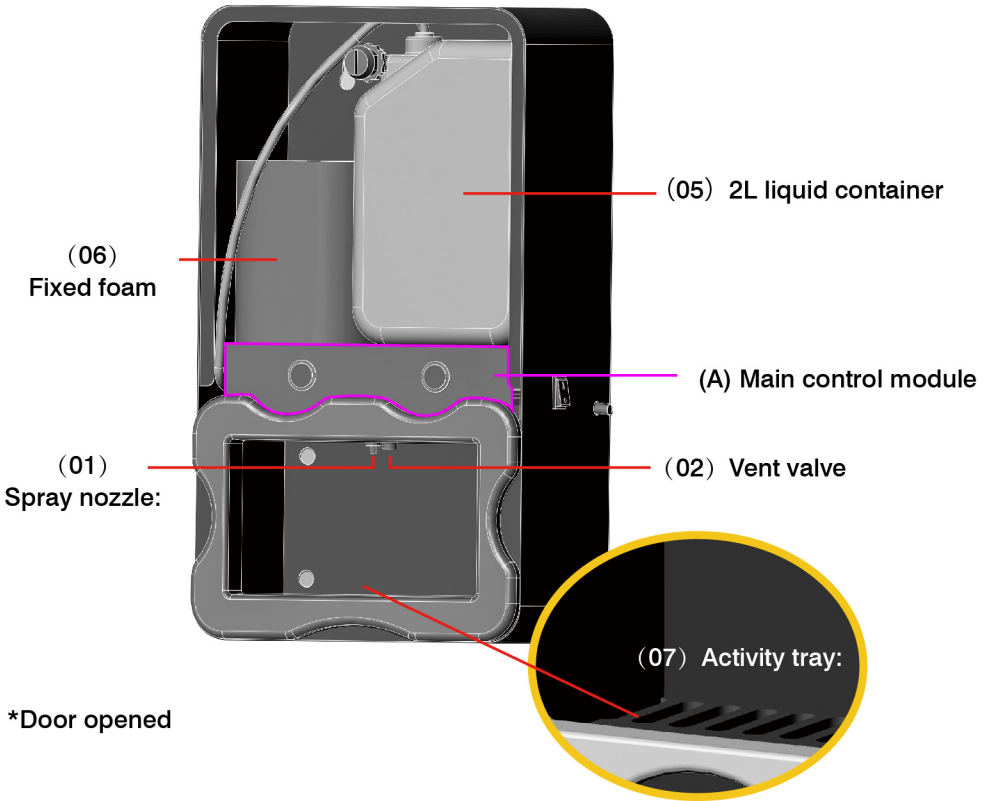


Safety mentions:

- 1.Keep dry inside the machine at any time
- 2.When storing liquid, the machine must never be placed on its side or upside down, otherwise it may cause damage and malfunction of the equipment.
- 3.Non-engineers should not open the module (A) for processing to avoid electric shock

Hand Desinfection Machine

Model	MC-200
Size	L 23.8 * W 12.8 * H 41.5cm
Weight	4.8kgs
Voltage	220V
Power	50/ma
Spray volume	~0.17mL / Sec (Adjustable)
x 2L liquid using times	about 2300~2500 times (~3 second per time)



(05) 2L liquid container:

When operating, you must first turn off the power, then take out the liquid container, open the large lid, and inject liquid!

Pay attention:

Every time the liquid is lower than 10 ~ 15% ,the liquid needs to be refilled immediately.

(01) Spray nozzle:

When the human hand is placed in the sensing area, it will automatically spray. The spray volume can be adjusted by rotating the nozzle.

(02) Vent valve:

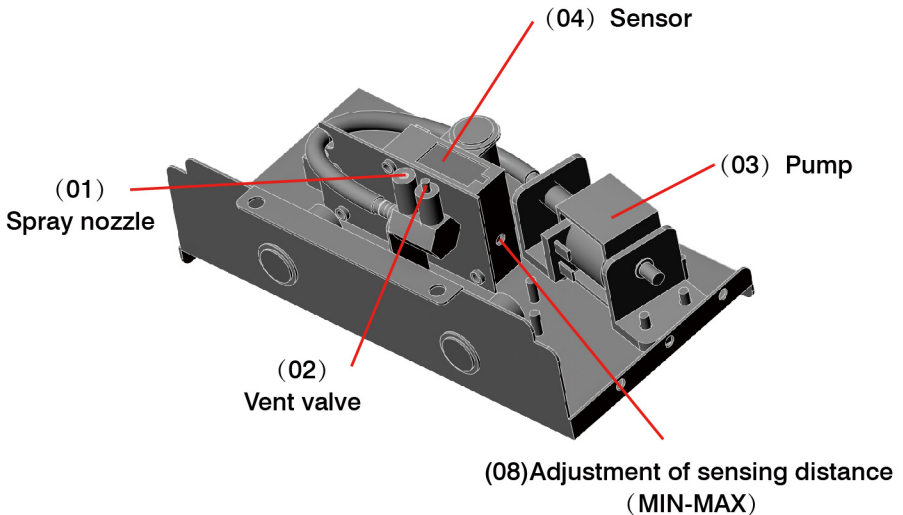
when there is no liquid in the tube, you must turn on the power -----> sensing spray -----> press the Vent valve for about **5 seconds** to spray normally

(07) Activity tray:

When too much residual liquid accumulates, you can take out this tray, wipe it dry and put it back

(A) Main control module

Description of module parts



The main control module is integrated here, if there is any fault or adjustment, it can be removed and taken out easily. It must be handled by engineering people.

The power must be turned off before disassembly.

QUICK TROUBLE SHOOTING CARD:

No electricity display at all: →

Check if Fuse is burned out

Spray volume:

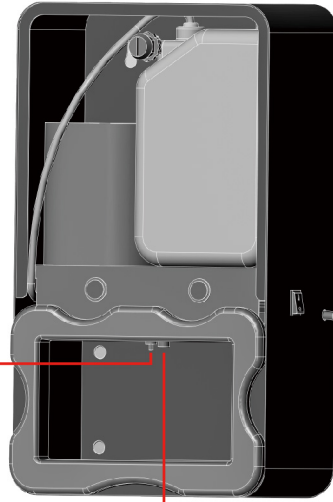
Rotating the nozzle

The spray is not smooth:

The spray head may be blocked, rotate down to clean

The spray does not come out:

The pump is faulty, replace it with a new one



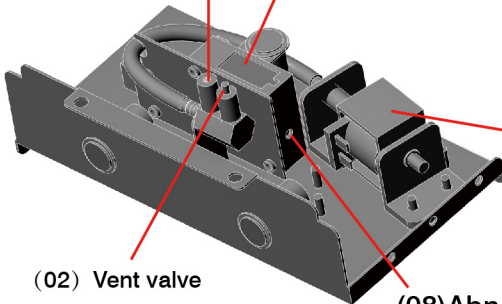
(02) Vent valve

! Important instructions:

When there is **no water in the water pipe**, it cannot be used normally.

You must **push the air valve** of the pool to deflate for about **5 seconds** and release it after the water is normal!

(04) Sensor



(02) Vent valve

(03) The spray does not work

The pump is faulty, replace it with a new one

(08) Abnormal sensing:

Disassemble the module and adjust the sensor knob, MIN <---> MAX .
If it is completely useless, replace it with a new one